

LED better

LIGHTEN UP!





Model# DCLEDWW-I-L-60-10X.5M / SKU# .24324 (Indoor)

- Color: Warm White
- LED Size: 5050
- LED p/meter: 60
- Viewing angle: 120°
- Voltage: 12Volts
- Current draw: 1.2 Amps/Meter
- Max power consumption: 14.4 Watts/Meter
- IP rating: IP20
- Operating Temperature: -20°~50°
- 5M roll in .5M segments



Model# DCLEDCW-I-L-60-5M / SKU# .22270 (Indoor)

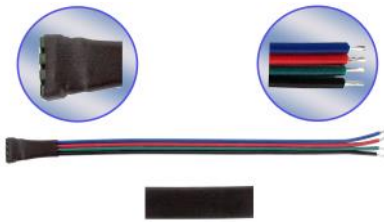
- Color: Cool White
- LED Size: 5050
- LED p/meter: 60
- Viewing angle: 120°
- Voltage: 12Volts
- Current draw: 1.2 Amps/Meter
- Max power consumption: 14.4 Watts/Meter
- IP rating: IP20
- Operating Temperature: -20°~50°



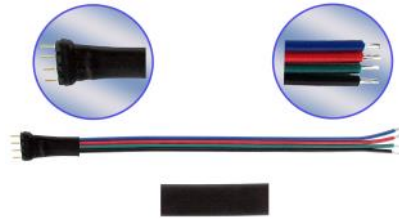
Model# DCLEDRGB-I-L-60-10X.5M / SKU# .24323 (Indoor)
Model# DCLEDRGB-W-L-60-5M / SKU# .22267 (Outdoor)

- Color: RGB
- LED Size: 5050
- LED p/meter: 60
- Viewing angle: 120°
- Voltage: 12Volts
- Current draw: 1.2 Amps/Meter
- Max power consumption: 14.4 Watts/Meter
- IP rating: IP20 (Indoor)
- Indoor—5M roll in .5M segments
- IP rating: IP68 (Outdoor)
- Outdoor—5M roll
- Operating Temperature: -20°~50°

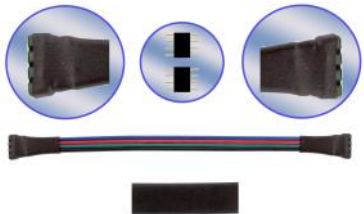
CONNECTORS



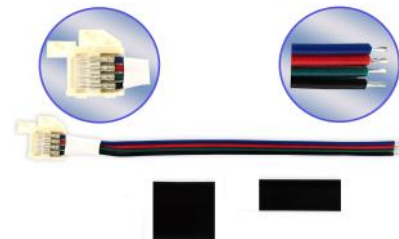
Model# DCLED4PFBW / SKU# .22688
4 Pin Female Socket to Bare Wire



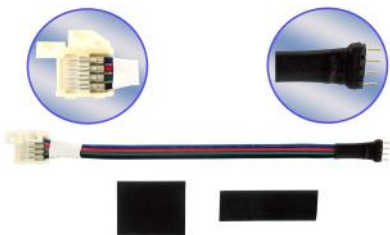
Model# DCLED4PMBW / SKU# .25207
4 Pin Male Plug to Bare Wire



Model# DCLED4PF4PFA / SKU# .27123
4 Pin Socket to 4 Pin Socket with Gender Changer
12" Long



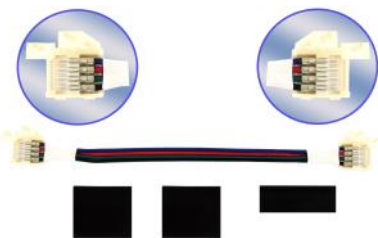
Model# DCLED4TFBW / SKU# .22689
Socket to Bare Wire



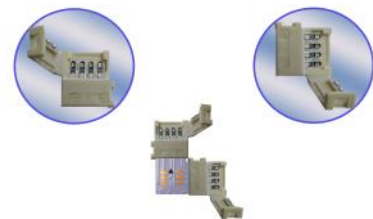
Model# DCLED4TF4PM-L / SKU# .23016
Socket to 4 Pin Male Plug (Long)



Model# DCLED1X3S / SKU# .26995
1 to 3 Way LED Splitter

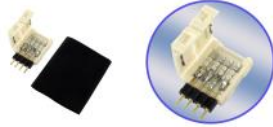


Model# DCLED4TFW4TF / SKU# .22694
Socket to Socket Straight

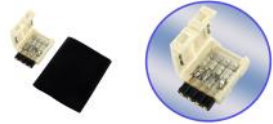


Model# DCLED4TFL4TF-S / SKU# .22693
Socket to Socket Right Angle—Short

CONNECTORS



Model# DCLED4TF4PM-D / SKU# .23161
Socket to 4 Pin Male Plug—Direct



Model# DCLED4TF4PF-D / SKU# .23162
Socket to 4 Pin Female Plug—Direct



Model# DCLED4TF4TF-10 / SKU# .22692
Socket to Socket Straight —10mm



Model# DCLEDWC10MM / SKU# .23420
Silicone Tubing Cover—10mm LED



Model# DCLED12TRACK2M / SKU# .28169
1/2" - 2M LED Diffuser with End Caps/Clips

Model# DCLED12TRACKCLIP / SKU# .28171
Track Mounting Clips

Model# DCLED12TRACKDIFFUSER / SKU# .28178
1/2" Track Diffuser

Model# DCLED12TRACKEC / SKU# 28170
1/2" Track End Caps



Model# DCLEDSMB10MM / SKU# .23422
Silicone Mounting Bracket—10mm
50pcs/pack



Model# DCLEDSSGLUE / SKU# .23023
Silicone Glue Tube



Model# DCLED2PFBW-WP / SKU# .23415
Weather Proof 2 Wire Power Plug/Socket



Model# DCLED4PFBW-WP / SKU# .22695
Weather Proof 4 Wire Plug/Socket



Model# DCHD-CTM 5PK / SKU# .26140
Male Pigtail for Controllers



Model# DCHD-CTF 5PK / SKU# .26139
Female Pigtail for Power Supply

CONTROLLERS



Model# DCLEDCON-24K-EXIR / SKU# .27320

- Programmable 24 key IR control
- Supply voltage: DC5V, DC12V, DC24V
- Size: 63 x 35 x 22 mm
- Output Current: 2A (Each channel)
- Output: 3 Channels
- Extendable IR receiver



Model# DCLEDCON-4K-RF / SKU# .22271

- Wireless 4 key RF control
- Supply voltage: DC5V, DC12V, DC24V
- Size: 95 x 67 x 26 mm
- Output Current: 4A (Each channel)
- Output: 3 Channels



Model# DCLEDCON-20K-RF / SKU# .22272

- Wireless 20 key RF control
- Supply voltage: DC5V, DC12V, DC24V
- Size: 128 x 64 x 24 mm
- Output Current: 4A (Each channel)
- Output: 3 Channels



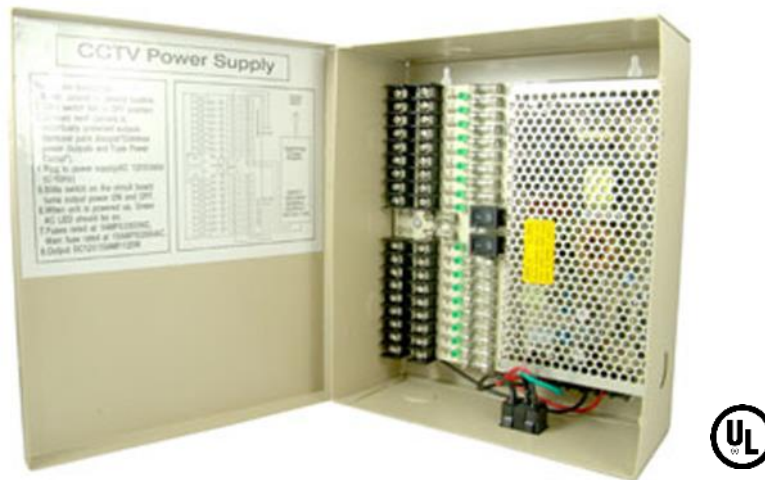
Model# DCLEDCON-FCP4K-RF/ SKU# .22274

- Programmable wireless RF control
- Supply voltage: DC5V, DC12V, DC24V
- Size: 94 x 58 x 26 mm
- Output Current: 4A (Each channel)
- Output: 3 Channels



Model# DCLEDCON-WMKP-RF / SKU# .22273

- Wall Mount keypad RF—21 scene
- Supply voltage: DC5V, DC12V, DC24V
- Size: 120x 75 x 31 mm
- Output Current: 3A (Each channel)
- Output: 3 Channels



Model# BLDP18P29ADC12R / SKU# .22834

- 18 Port 29 Amp regulated power supply
- On/Off switch
- Fault & AC on LED's
- Fuse protection
- UL Listed

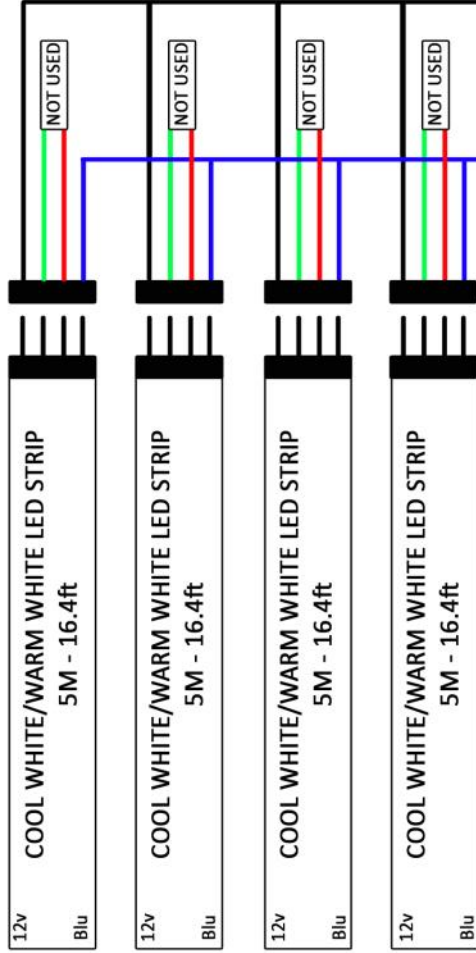


Model# DCLEDPS-12V5A / SKU# .22276

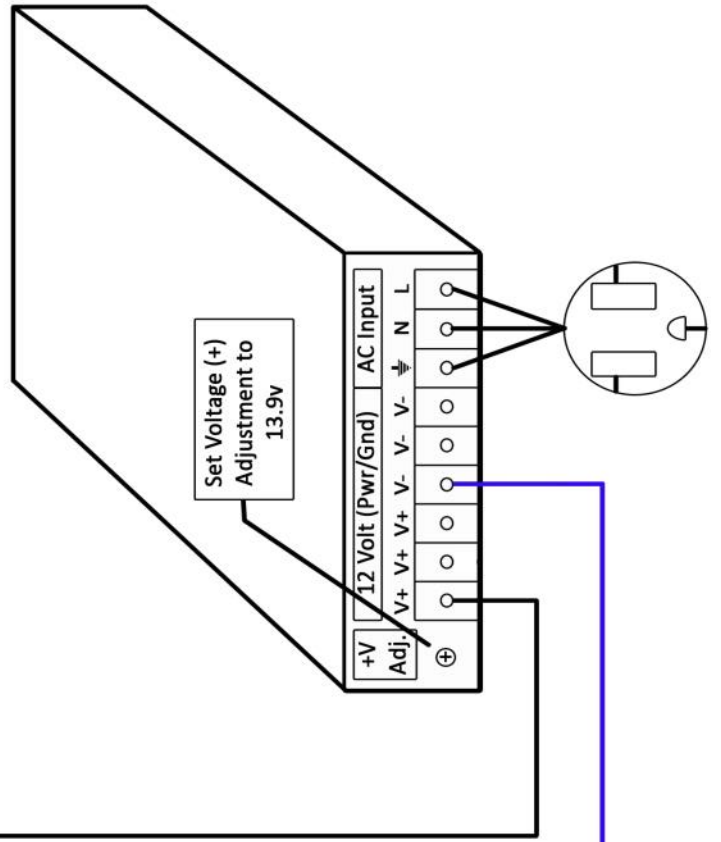
- 12 Volt 5 Amp 60 Watt regulated power supply
- UL Listed

LEDbetter™

Lighting Systems



Using Cool White or Warm White LED strips with external power supply only.



DirectConnect

4747 Westpark

Houston, Texas 77027

Phone: 800.531.3224

Fax: 713.525.3220

Email: sales@directconnecthome.com

Web: www.directconnecthome.com

