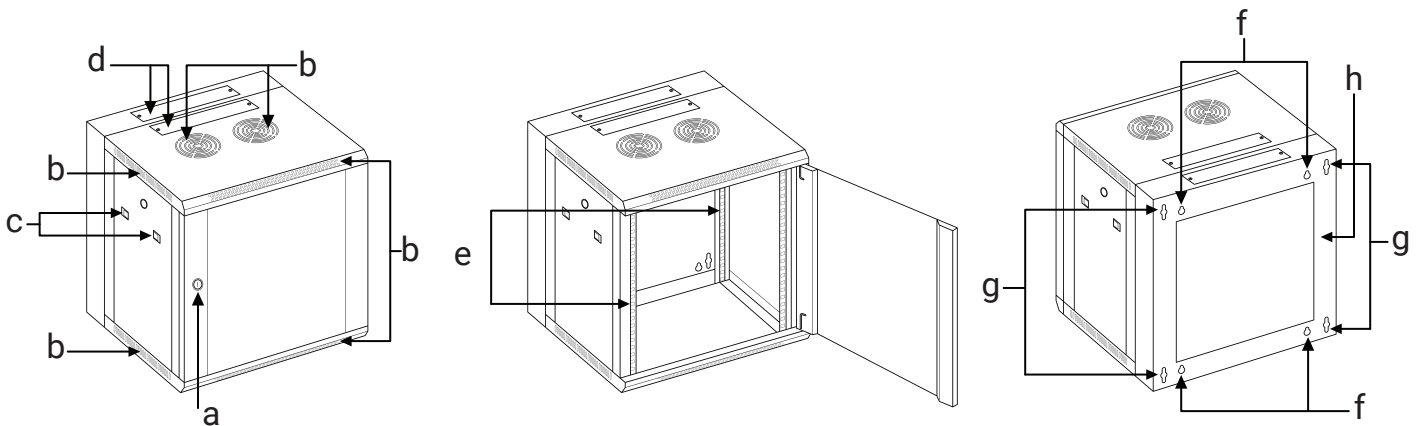


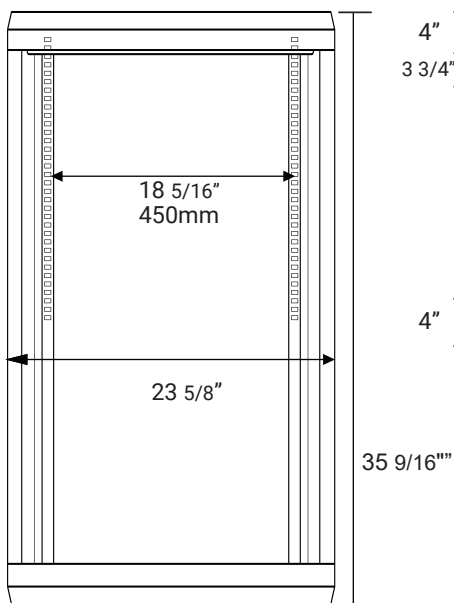
Feature Identification

- a) Lock
- b) Vents
- c) Pull Tabs (side access)
- d) Wire Management Openings
- e) Equipment Rails (Numbered spacing)
- f) Stud Mounting holes
- g) Optional mounting holes
- h) Wall Hinge



Dimension Identification

View from Front (door off)



View from Top

